

CAMPI SCALA per DN >60

SCALE RANGES for DN >60

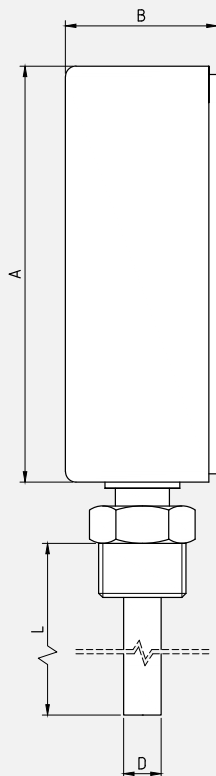
-40° +40° C	-30° +50° C	-20° +40° C	-10° +40° C	0° +50° C	0° +200° C
		-20° +50° C	-10° +50° C	0° +60° C	0° +250° C
		-20° +60° C	-10° +110° C	0° +80° C	0° +300° C
		-20° +80° C	-10° +120° C	0° +100° C	0° +400° C
		-20° +120° C		0° +120° C	0° +500° C
				0° +160° C	

art. 500

DIMENSIONI

DIMENSIONS

DN	A	B	D	L
60	60	30	12	40÷500
80	81	36,5	12	40÷500
100	99	39	12	40÷500
150	167	50	12	40÷500



Radiale

Lower connection

OPZIONI E ACCESSORI

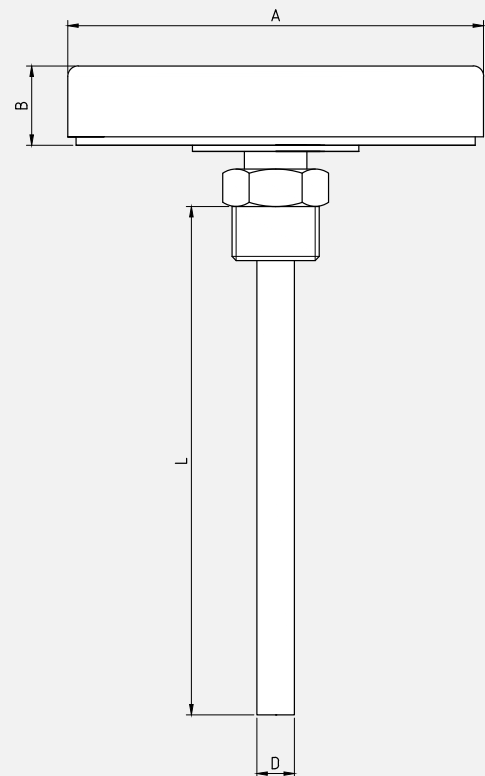
- scala speciale
- pozzetto termometrico ricavato da barra o da tubo, con attacco al processo filettato

art. 501

DIMENSIONI

DIMENSIONS

DN	A	B	D	L
32	32,5	10	12	50÷500
40	41	11	12	50÷500
50	50,5	11	12	50÷500
60	60	12	12	50÷500
80	80	13,5	12	50÷500
100	99	15	12	50÷500
150	167	22	12	50÷500



Posteriore

Back connection

OPTIONS AND ACCESSORIES

- special scale
- barstock type of from pipe thermowell with threaded or flanged process connection